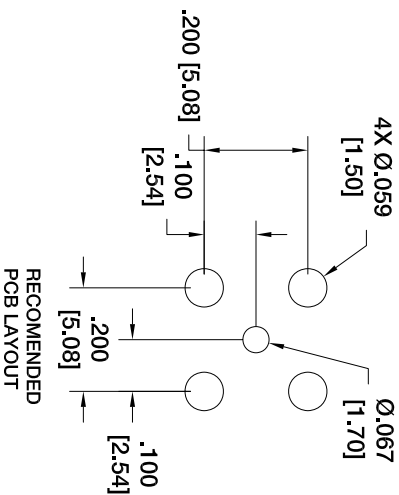
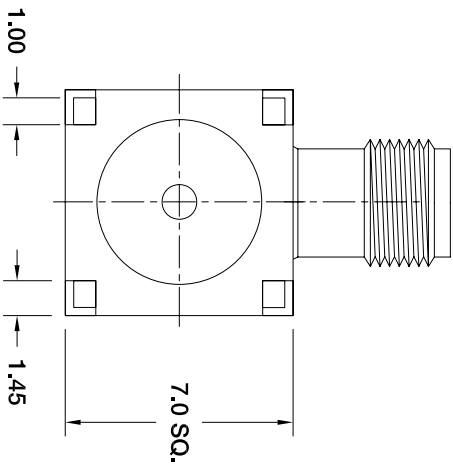
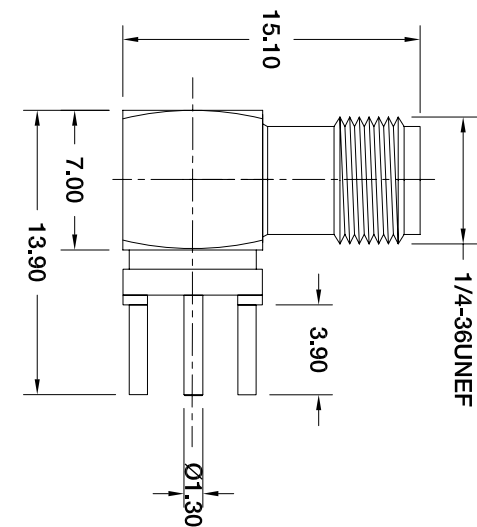


Rev	AWO #	Description	Date	Appr
-		RELEASED	9/15/06	

APPROVED: \_\_\_\_\_

DATE: \_\_\_\_\_ TITLE: \_\_\_\_\_



INSULATOR	TEFLON	1	NONE
PIN	BRASS	1	GOLD
BODY	BRASS	1	GOLD
DESCRIPTION	MATERIAL	QTY	FINISH

**SPECIFICATIONS:**

**MATERIAL:**

Housing: Brass, nickel or gold plated per requirement

Insulator: Teflon

Contacts: Beryllium Copper, gold-plated

**ELECTRICAL:**

Frequency range: 0-15 GHz

Voltage rating: 500 Volts peak

Impedance: 50 ohm

Contact resistance: Center: 1.5 mohm - Outer: 1.0 mohm

Insulation resistance: 5000 Mohm min @ 1500 VDC between

adjacent contacts (75°F and 50

Dielectric withstanding voltage: 1000 VAC min rms

RF leakage: -90 dB min @ 2-3 GHz

**Environmental:**

Lead free, RoHS compliant.



**ADAM TECH**

909 Rahway Avenue, Union, NJ 07083

Phone: 908-687-5000 Fax: 908-687-5710

SMA, STRAIGHT, PCB MOUNT, 50 OHM

UNLESS OTHERWISE SPECIFIED  
ALL DIMENSIONS ARE MM [INCHES]  
TOLERANCES: EXCEPT AS NOTED  
INCHES HOLEES

.X	± .10	ØXX	± .10
.XX	± .020	ØXXX	± .015
.XXX	± .015	ØXXXX	± .010

APPROVALS

DRAWN	SS	2/9/06
CHECKED		
APPROVED		

TITLE

SMA, STRAIGHT, PCB MOUNT, 50 OHM

SIZE PART NO.

RF2-25-1-00-50-G

REV.

REF:

SCALE: NTS

SHEET 1 OF 1